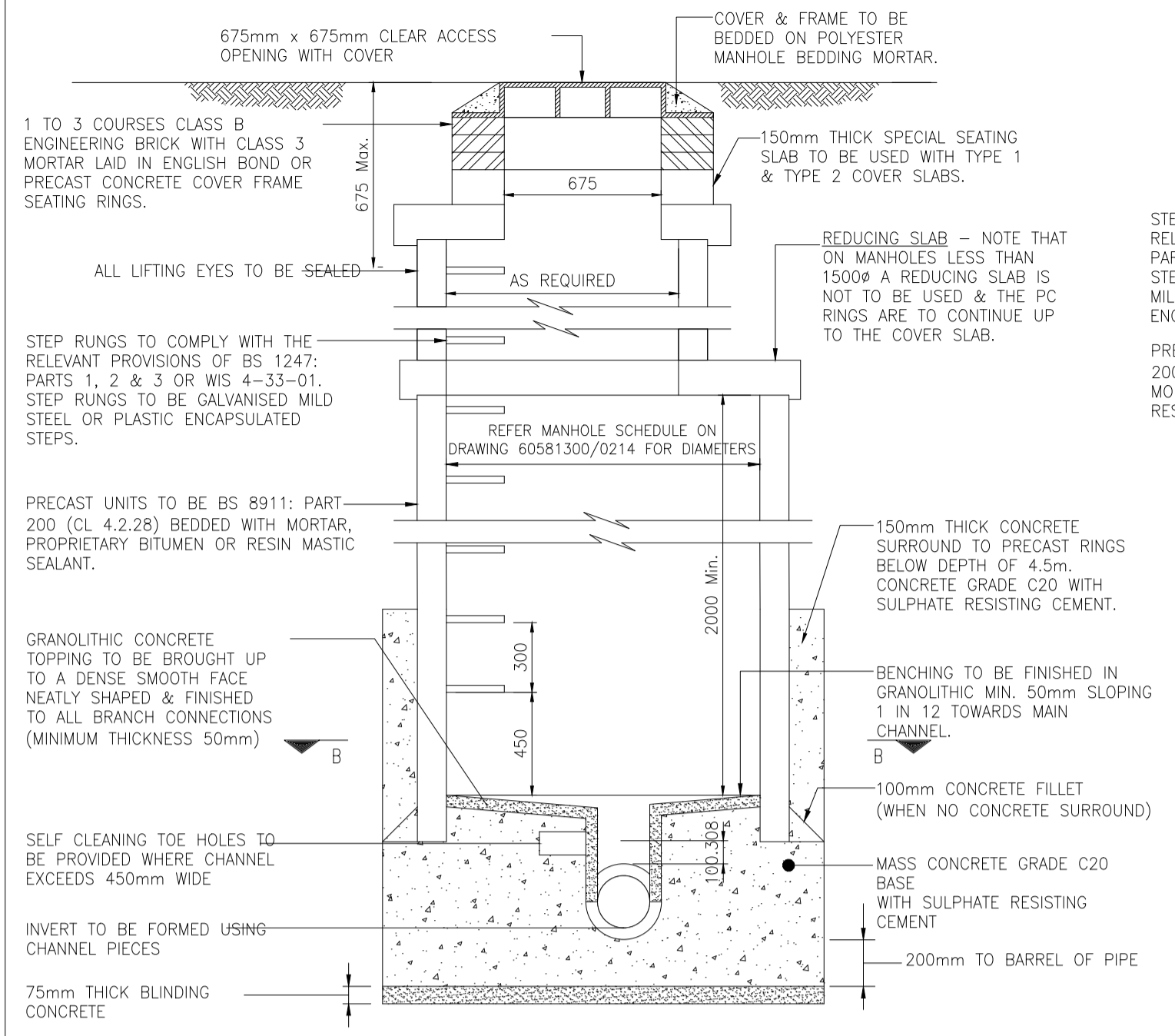


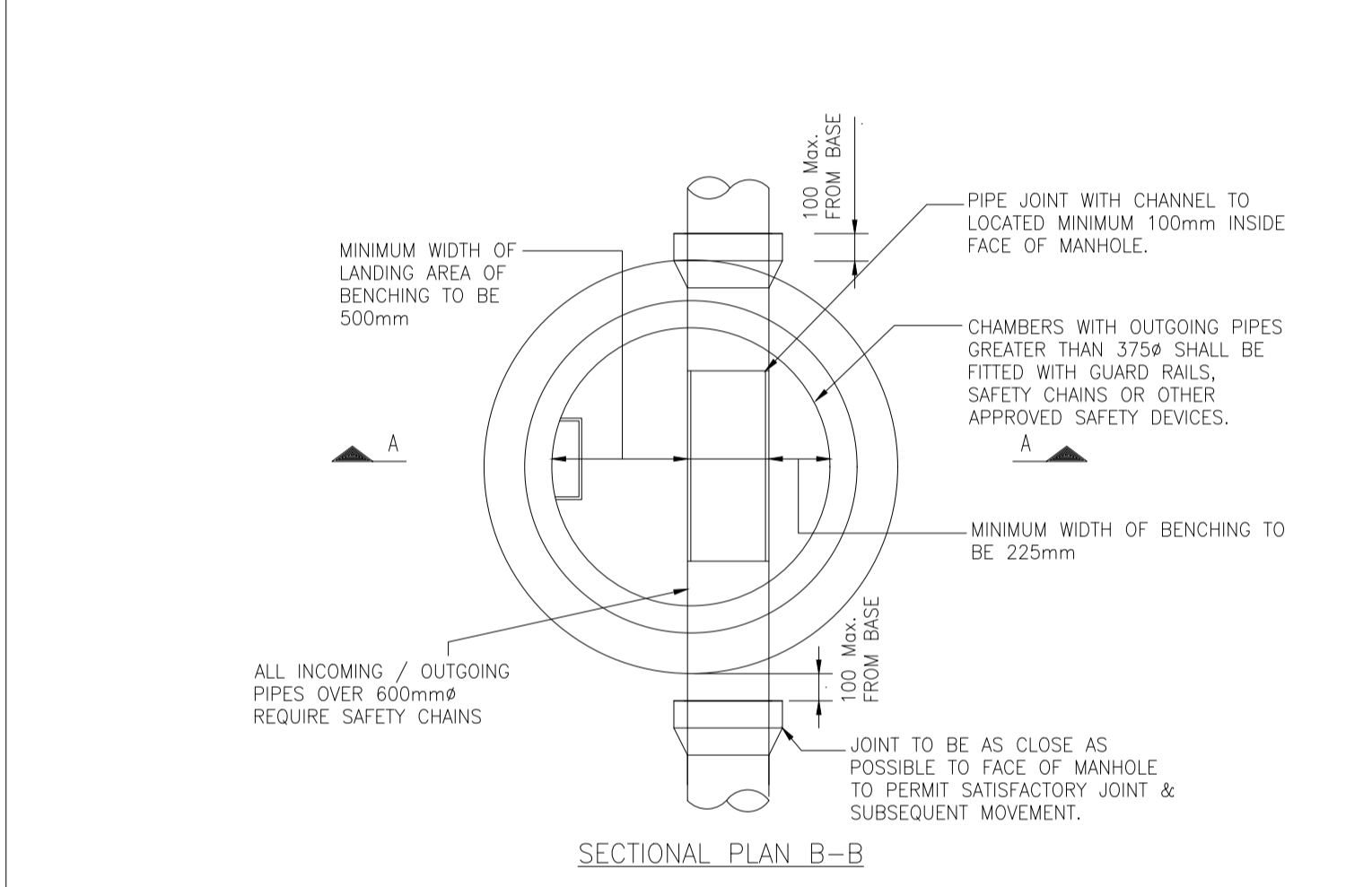
- TYPICAL DETAILS ARE INDICATIVE ONLY AND SHOULD NOT BE USED FOR DETAILED DESIGN.

NO.	DATE	DESCRIPTION
P0	10.10.22	FIRST ISSUE FOR PLANNING
I/R	DATE	DESCRIPTION

This drawing has been prepared for the use of AECOM's client. It may not be used, modified, reproduced or relied upon by third parties, except as agreed by AECOM or as required by law. AECOM accepts no responsibility, and denies any liability, whatsoever, to any party that uses or relies on this drawing without AECOM's express written consent. All measurements must be obtained from the stated dimensions.



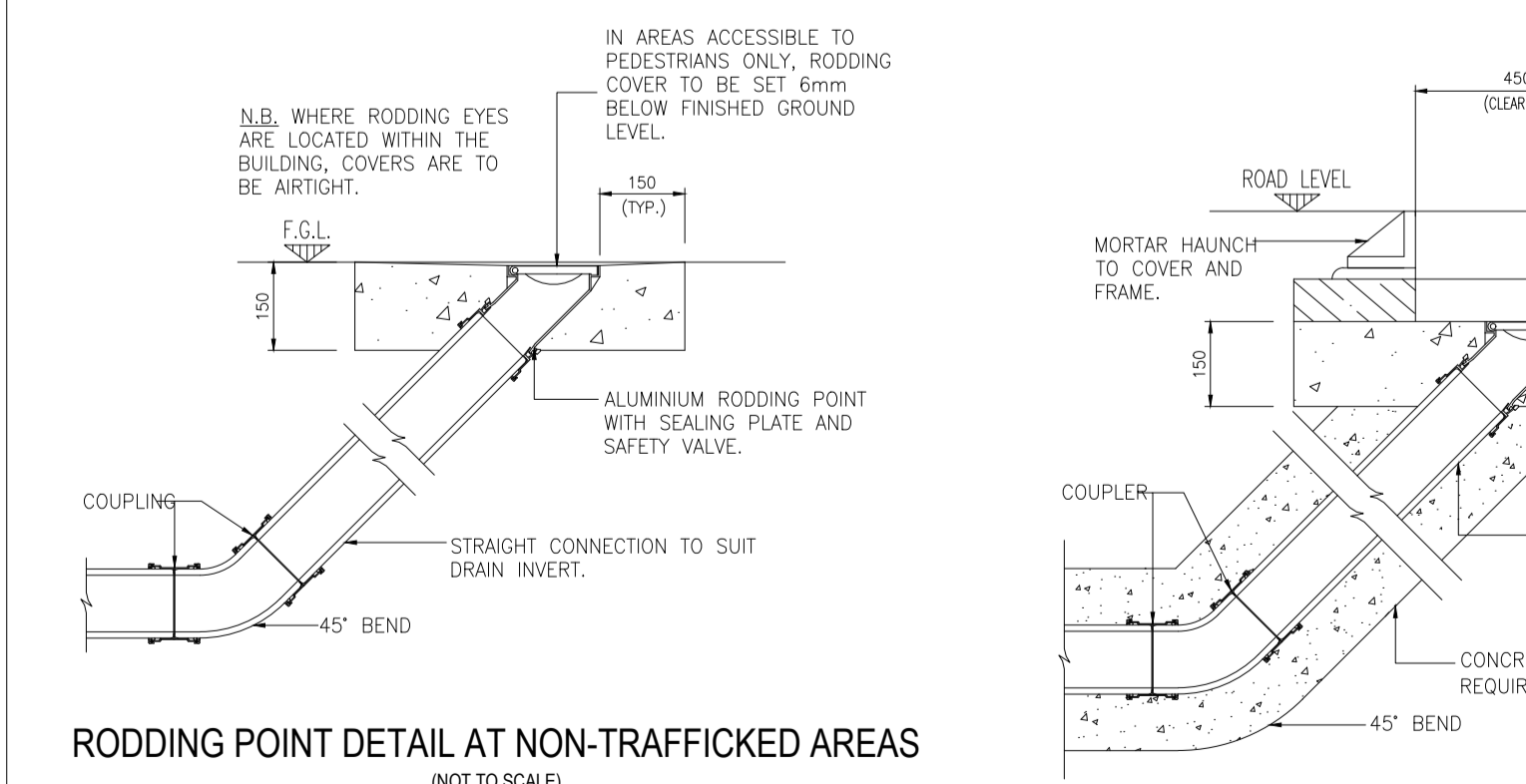
SECTION A-A



SECTIONAL PLAN B-B

TYPE 'A' PRECAST CONCRETE MANHOLE
(DEPTH FROM GROUND LEVEL TO SOFFIT 3.0m - 6.0m)
NOT TO SCALE

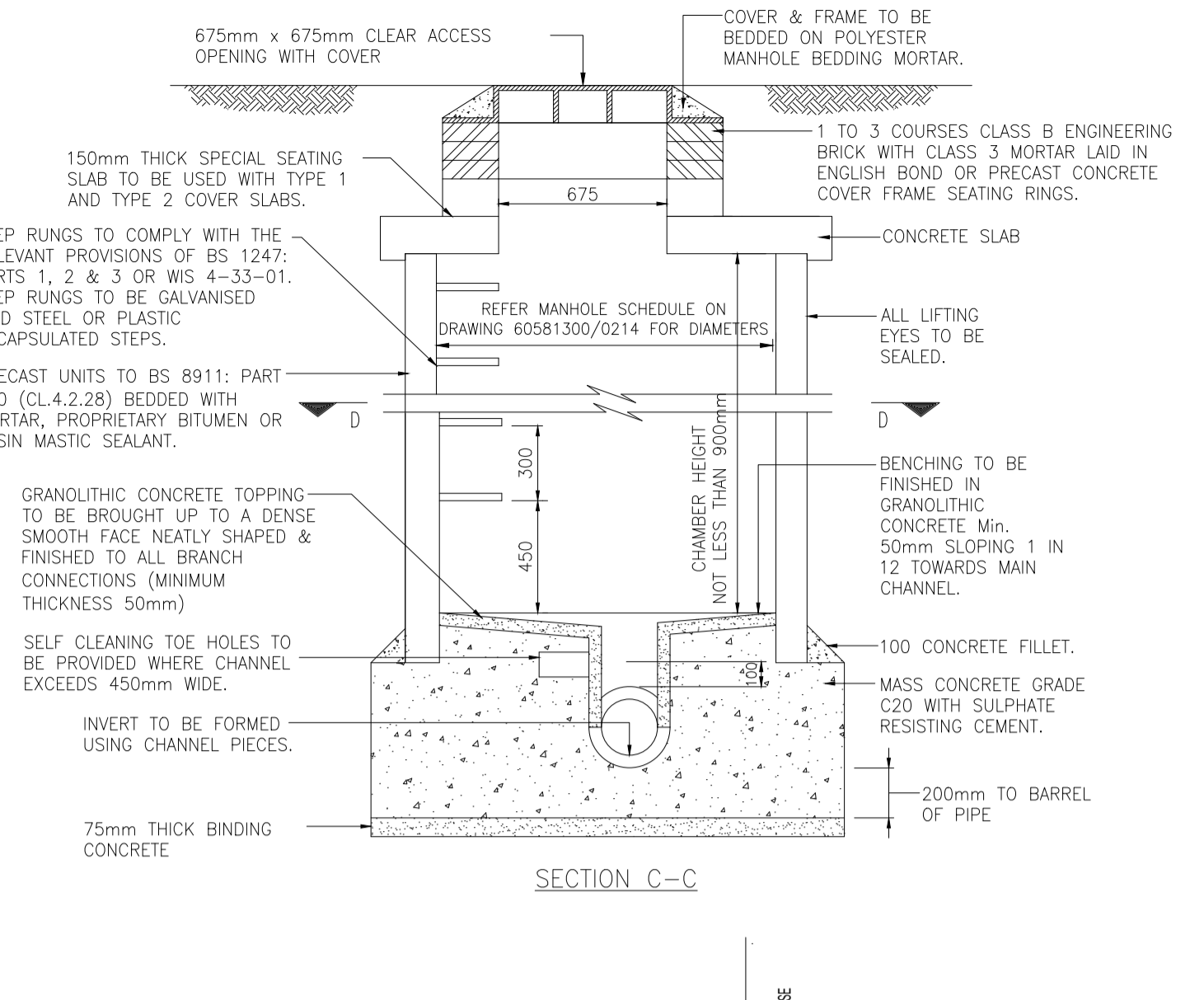
- NOTES
- SOLID TOP COVERS IN TRAFFICKED AREAS TO BE HEAVY DUTY CLASS D400-N, DUCTILE IRON TO BS EN 124, 675 x 675 CLEAR OPENING, AS PER SAINT-GOBAIN/PAM INTER-AX D400-B PRODUCT CODE BC22 1, SINGLE SEAL, KITEMARKED, OR EQUAL APPROVED.
 - SOLID TOP COVERS IN AREAS ACCESSIBLE TO PEDESTRIANS ONLY TO BE MEDIUM DUTY, CLASS B125, DUCTILE IRON TO BS EN 124, 600 x 600 CLEAR OPENING, SINGLE SEAL, AS PER SAINT-GOBAIN/PAM PRODUCT CODE HA03 1, KITEMARKED, OR EQUAL APPROVED.
 - WHERE OUTLET PIPE DIAMETER IS GREATER THAN INLET, PIPE SOFFITS TO BE AT SAME LEVEL.



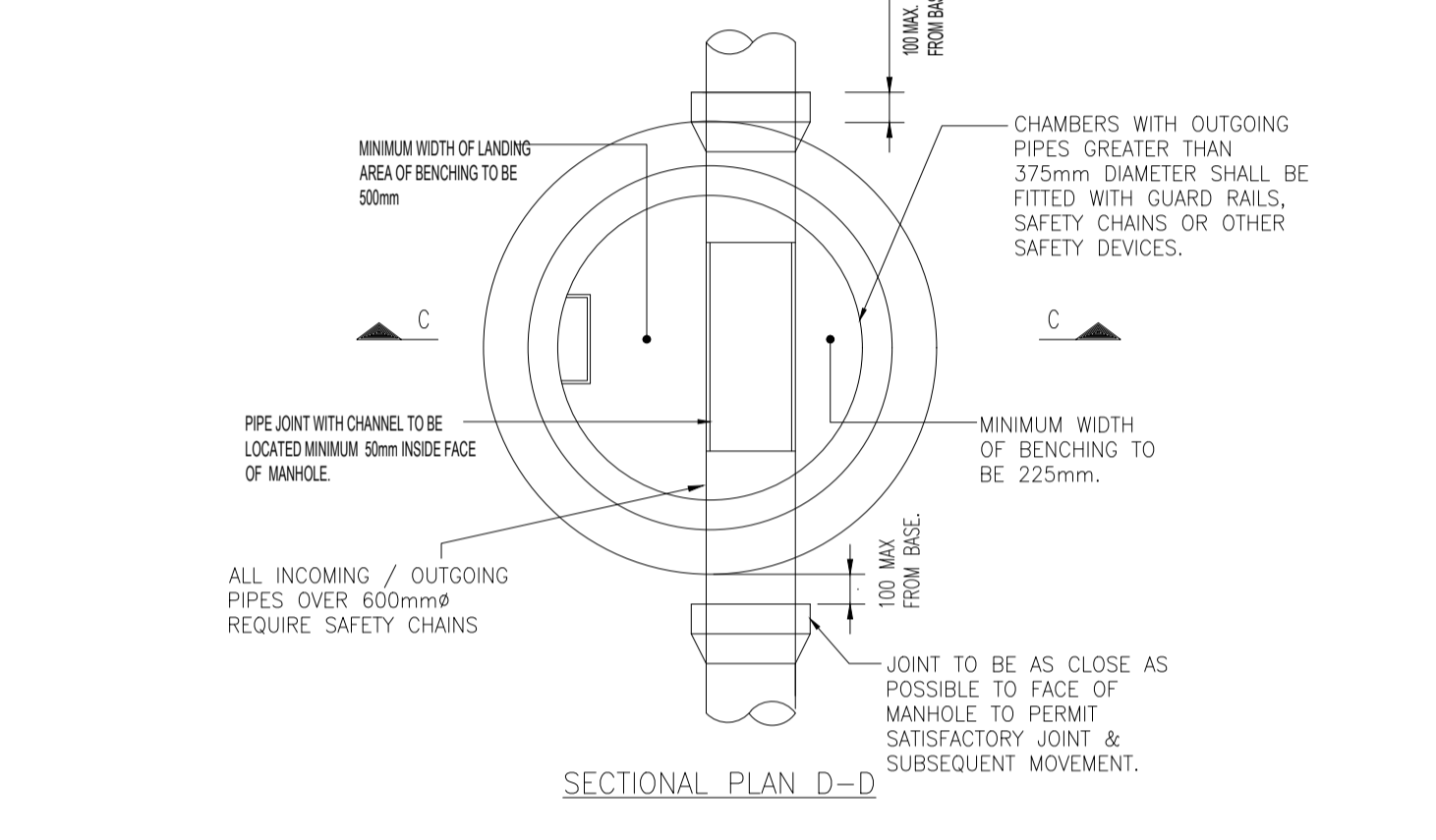
RODDING POINT DETAIL AT NON-TRAFFICKED AREAS
(NOT TO SCALE)



RODDING POINT DETAIL AT VEHICULAR TRAFFICKED AREAS
(NOT TO SCALE)

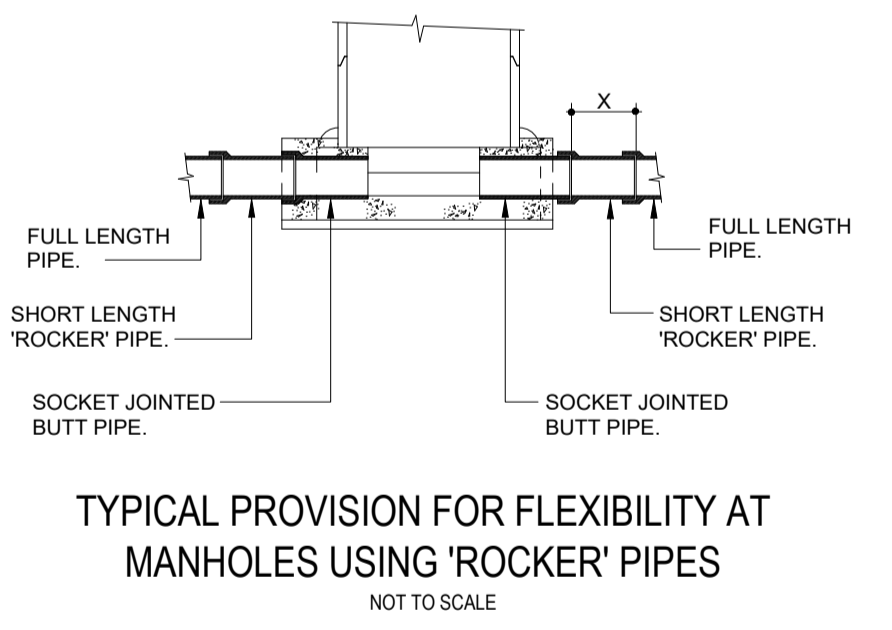


SECTION C-C



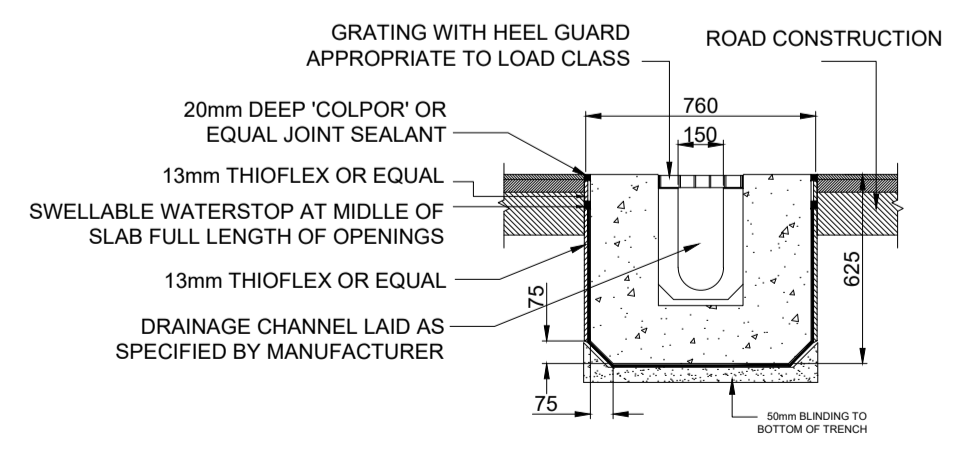
SECTIONAL PLAN D-D

TYPE 'B' PRECAST CONCRETE MANHOLE
(DEPTH FROM GROUND LEVEL TO SOFFIT 1.5m - 3.0m)
NOT TO SCALE

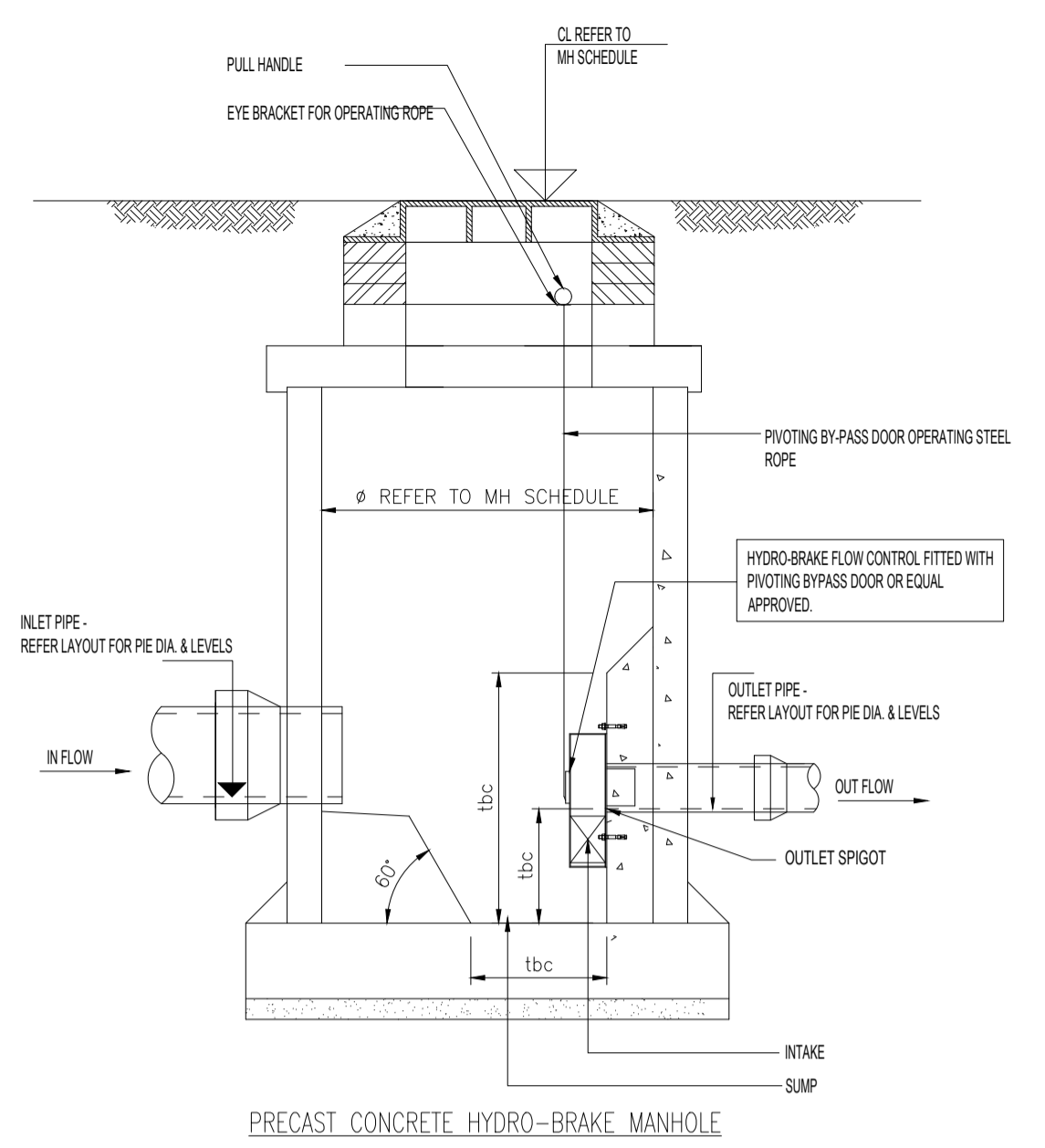


TYPICAL PROVISION FOR FLEXIBILITY AT
MANHOLES USING 'ROCKER' PIPES
NOT TO SCALE

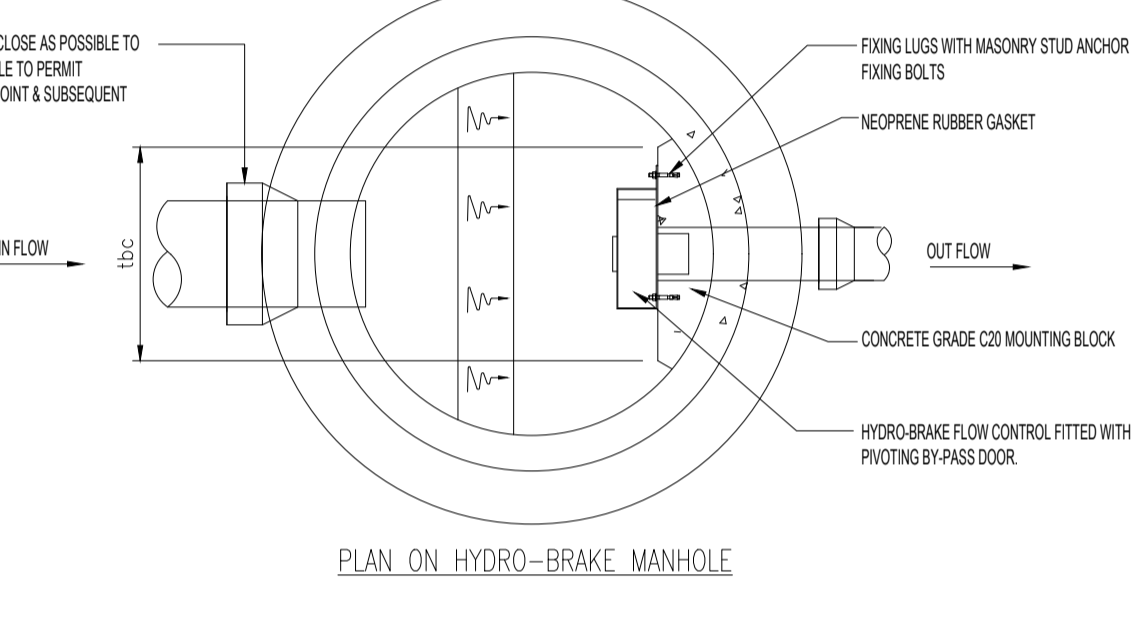
- NOTES
- THE MANHOLE STUB PIPE SHOULD TERMINATE WITHIN 150mm FROM THE EXTERNAL FACE OF THE MANHOLE CHAMBER.
 - THE LENGTH OF THE ROCKER PIPE (X) SHOULD CORRESPOND TO THE SEWER DIAMETER.
 - FOR SEWERS $\le 600\text{mm}\phi$, THE ROCKER LENGTH SHOULD NOT EXCEED 600mm.
 - FOR SEWERS 600mmϕ-750mmϕ, THE ROCKER LENGTH SHOULD NOT EXCEED 1000mm.
 - FOR SEWERS >750mmϕ, THE ROCKER LENGTH SHOULD NOT EXCEED 1250mm.



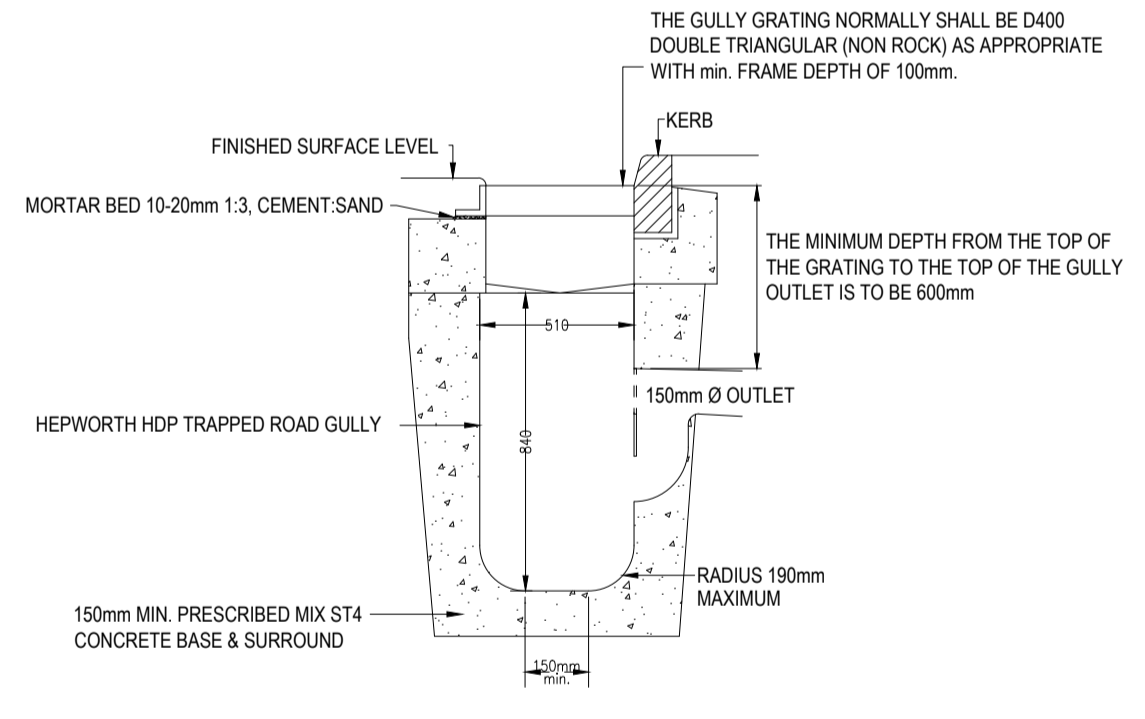
TYPICAL SECTION THROUGH LINEAR DRAINAGE CHANNEL
(ACO, OR SIMILAR)
NOT TO SCALE



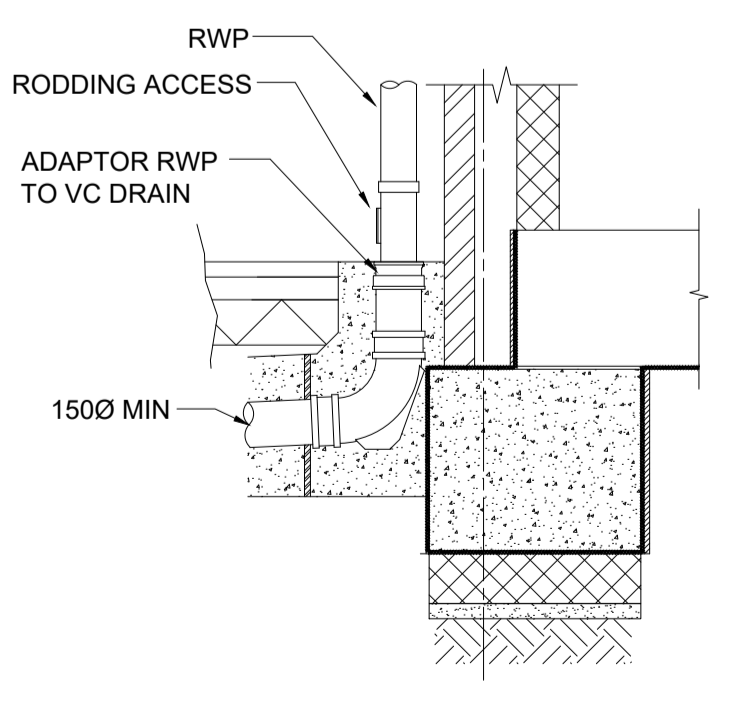
PRECAST CONCRETE HYDRO-BRAKE MANHOLE



PRECAST CONCRETE HYDRO-BRAKE MANHOLE
NOT TO SCALE



TYPICAL ROAD GULLY DETAIL
NOT TO SCALE



TYPICAL EXTERNAL RAIN WATER PIPE
NOT TO SCALE

Last saved by: COULLINGP/2023-11-01 | Last Plotted: 2023-11-02 | Filename: \\NA.AECOM\NET\COMPLFS\MEAD\UBLIN\EDB\ZLE\GAC\Y\IEDB\ZFP001\DATA\DCS\PROJECTS\BP\60657534 - SUMMERHILL\FIELDSTOWN\PLANNING FOLDER\60657534-ACM-DWG-610.DWG PM Initials : Designer : GNEE Checked : KMMD Approved : BW